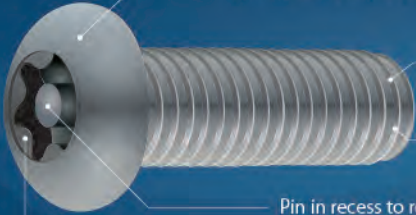


RESYTORK BUTTON HEAD MACHINE SCREWS



Domed button head shape has excellent visual effect and safety benefits. Other special head shapes can be custom manufactured to suit specific projects.


Precision manufactured in 304 Stainless steel, 316 Stainless steel, Zinc and Galvanised versions can be produced on request.

Imperial threads available see page 13


Pin in recess to resist tampering.

6 Lobe high torque drive with chamfer to assist driver tool insertion.


LEVEL 1:
Basic Security




Can be installed and removed with the following tools:



Insert Bit



Key Wrench









Screwdriver

See page 134 - For more details on Driver Tools



○ = Zinc Plated

PART NO.	LENGTH 	DRIVE SIZE 	HEAD DIA 	HEAD HEIGHT 	MATERIAL 	\$/100 
RTBM508	8mm	T25	9.3mm	2.6mm	304 S/S	\$99.00
RTBM508-Z	8mm	T25	10mm	3.95mm	Zinc Plated	\$45.50 ○
RTBM510	10mm	T25	9.3mm	2.6mm	304 S/S	\$101.20
RTBM510-Z	10mm	T25	10mm	3.95mm	Zinc Plated	\$54.00 ○
RTBM512	12mm	T25	9.3mm	2.6mm	304 S/S	\$103.90
RTBM512-Z	12mm	T25	10mm	3.95mm	Zinc Plated	\$57.00 ○
RTBM516	16mm	T25	9.3mm	2.6mm	304 S/S	\$109.40
RTBM516-Z	16mm	T25	10mm	3.95mm	Zinc Plated	\$69.50 ○
RTBM518	18mm	T25	9.3mm	2.6mm	304 S/S	\$146.00
RTBM520	20mm	T25	9.3mm	2.6mm	304 S/S	\$116.70
RTBM520-Z	20mm	T25	10mm	3.95mm	Zinc Plated	\$55.00 ○
RTBM525	25mm	T25	9.3mm	2.6mm	304 S/S	\$131.60
RTBM525-Z	25mm	T25	10mm	3.95mm	Zinc Plated	\$62.80 ○
RTBM530	30mm	T25	9.3mm	2.6mm	304 S/S	\$139.80
RTBM530-Z	30mm	T25	10mm	3.95mm	Zinc Plated	\$64.00 ○
RTBM535	35mm	T25	9.3mm	2.6mm	304 S/S	\$149.60
RTBM540	40mm	T25	9.3mm	2.6mm	304 S/S	\$164.40
RTBM550	50mm	T25	9.3mm	2.6mm	304 S/S	\$183.90

