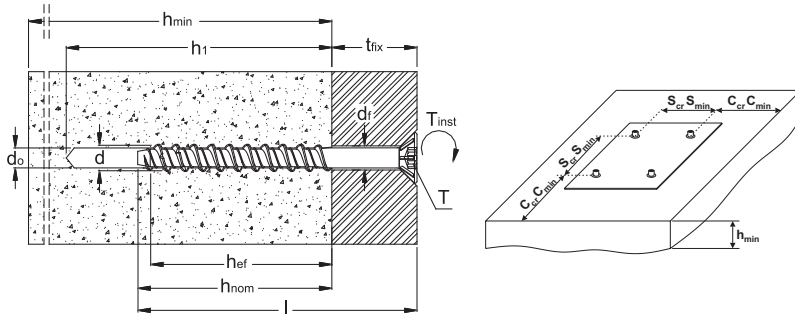


HXS 01 Patented flat CSK head with ribs concrete screw



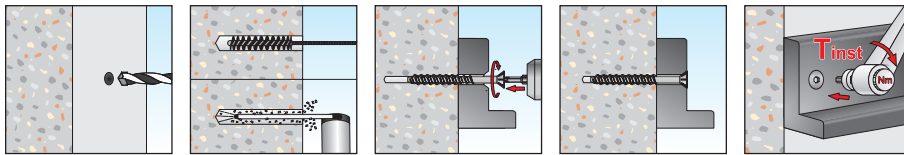
TECHNICAL DATA SHEET



$d_v \times l_v$	screw diameter x screw length
t_{fix}	maximum thickness of fixture
d_o	drill hole diameter
h_1	depth of drill hole
h_{min}	thickness of concrete member
h_{nom}	overall anchor embedment depth
h_{ef}	effective anchorage depth
d_f	diameter of clearance hole in the fixture
T_{inst}	required torque moment
T	6 lobe recess
c_{min}	minimum allowable edge distance
s_{min}	minimum allowable spacing
c_{cr}	edge distance for ensuring the transmission of the characteristic resistance of a single anchor
s_{cr}	spacing for ensuring the transmission of the characteristic resistance of a single anchor

Coating:

Special grey finishing, made of zinc-aluminium flake, with a corrosion resistance of minimum 500 h in neutral salt spray test (tests according to ISO 9227)



TECHNICAL DATA AND TEST REPORT OF HXS 01 SCREWS IN NON-CRACKED CONCRETE C20/25

Item Code	Screw size $d_v \times l_v$ (mm)	t_{fix} (mm)	d_o (mm)	h_1 (mm)	h_{min} (mm)	h_{nom} (mm)	h_{ef} (mm)	d_f (mm)	T_{inst} (Nm)	T	c_{min} (mm)	s_{min} (mm)	c_{cr} (mm)	s_{cr} (mm)	CHARACTERISTIC LOADS (kN)	
															PULL OUT	SHEAR
Ø 6																
HXS 01 06 060	6,6 x 60	10	5	65	100	50	40	7	15	T 30	40	40	60	120	6,8	6
HXS 01 06 080	6,6 x 80	30														
HXS 01 06 100	6,6 x 100	50														
HXS 01 06 120	6,6 x 120	70														
Ø 8																
HXS 01 08 045	7,8 x 45	5	6	75	100	60	50	9	20	T 30	30	30	45	90	6,8	8,8
HXS 01 08 060	7,8 x 60	10														
HXS 01 08 070	7,8 x 70	10														
HXS 01 08 080	7,8 x 80	20														
HXS 01 08 100	7,8 x 100	40														
HXS 01 08 120	7,8 x 120	60														
HXS 01 08 140	7,8 x 140	80														
Ø 10																
HXS 01 10 080	10 x 80	10	8	90	110	70	55	12	50	T 40	55	55	82,5	165	15,6	18
HXS 01 10 100	10 x 100	30														
HXS 01 10 120	10 x 120	50														
HXS 01 10 140	10 x 140	70														
HXS 01 10 160	10 x 160	90														
Ø 12																
HXS 01 12 100	12 x 100	20	10	100	120	80	60	14	80	T 50	60	60	90	180	20	28
HXS 01 12 120	12 x 120	40														
HXS 01 12 140	12 x 140	60														
HXS 01 12 180	12 x 180	100														

For all specification not included in the table, please contact Tecfi Lab

Pull-out and shear showed in the table are CHARACTERISTIC LOADS from tests run on non-cracked concrete C20/25 without edge and spacing effect (Pull-out and shear loads are in kN: 1kN = 100Kg).