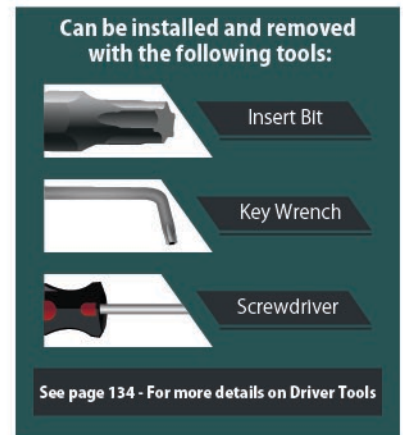
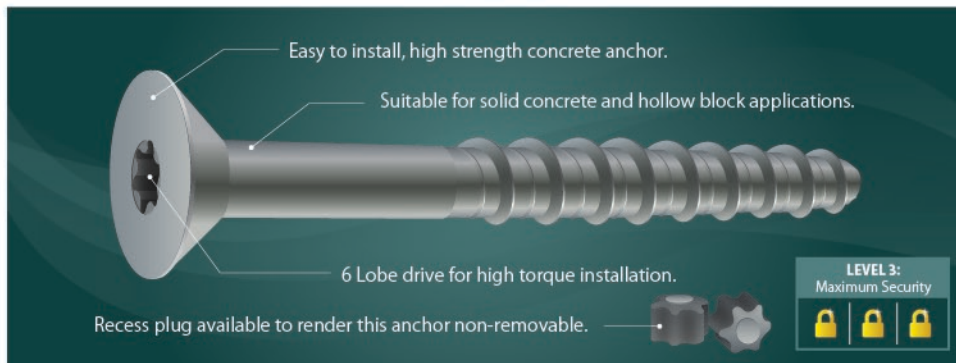


PATENTED COUNTERSUNK CONCRETE SCREW



| PART NO. | LENGTH | DRIVE SIZE | DRILL SIZE | MAX FIXTURE | HEAD DIA | HEAD HEIGHT | PULL OUT (kN) | SHEAR (kN) | \$/100 |
|-----------|--------|------------|------------|-------------|----------|-------------|---------------|------------|----------|
| TCSB1080 | 80mm | T40 | 8mm | 10mm | 19.8mm | 7.2mm | 15.6 | 23.4 | \$375.00 |
| TCSB10100 | 100mm | T40 | 8mm | 30mm | 19.8mm | 7.2mm | 15.6 | 23.4 | \$395.00 |
| TCSB10120 | 120mm | T40 | 8mm | 50mm | 19.8mm | 7.2mm | 15.6 | 23.4 | \$497.50 |
| TCSB10140 | 140mm | T40 | 8mm | 70mm | 19.8mm | 7.2mm | 15.6 | 23.4 | \$622.00 |
| TCSB10160 | 160mm | T40 | 8mm | 90mm | 19.8mm | 7.2mm | 15.6 | 23.4 | \$762.00 |

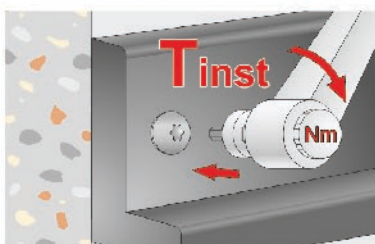


| PART NO. | LENGTH | DRIVE SIZE | DRILL SIZE | MAX FIXTURE | HEAD DIA | HEAD HEIGHT | PULL OUT (kN) | SHEAR (kN) | \$/100 |
|-----------|--------|------------|------------|-------------|----------|-------------|---------------|------------|------------|
| TCSB12100 | 100mm | T50 | 10mm | 20mm | 23.8mm | 8.4mm | 24.4 | 30.6 | \$550.00 |
| TCSB12120 | 120mm | T50 | 10mm | 40mm | 23.8mm | 8.4mm | 24.4 | 30.6 | \$650.00 |
| TCSB12140 | 140mm | T50 | 10mm | 60mm | 23.8mm | 8.4mm | 24.4 | 30.6 | \$875.00 |
| TCSB12180 | 180mm | T50 | 10mm | 100mm | 23.8mm | 8.4mm | 24.4 | 30.6 | \$1,485.00 |

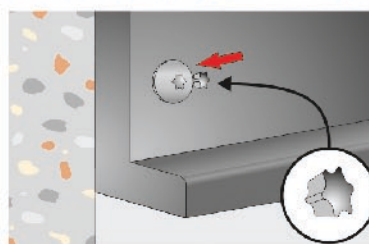
WANT TO MAKE THESE ANCHORS NON REMOVABLE?

It's easy as ABC! Add our optional recess plug as below

A: Install anchor as required



B: Locate pin plug in the recess



C: Tap plug until firmly seated

