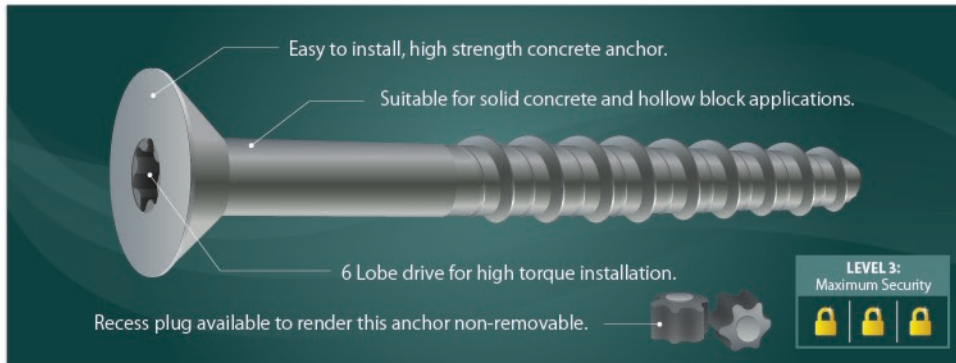


PATENTED COUNTERSUNK CONCRETE SCREW



Can be installed and removed with the following tools:

- Insert Bit
- Key Wrench
- Screwdriver

See page 134 - For more details on Driver Tools



PART NO.	LENGTH	DRIVE SIZE	DRILL SIZE	MAX FIXTURE	HEAD DIA	HEAD HEIGHT	PULL OUT (kN)	SHEAR (kN)	\$/100
TCSB660	60mm	T30	5mm	10mm	11.6mm	4.2mm	6.6	6.8	\$90.00
TCSB680	80mm	T30	5mm	30mm	11.6mm	4.2mm	6.6	6.8	\$112.00
TCSB6100	100mm	T30	5mm	50mm	11.6mm	4.2mm	6.6	6.8	\$178.00
TCSB6120	120mm	T30	5mm	70mm	11.6mm	4.2mm	6.6	6.8	\$190.00



PART NO.	LENGTH	DRIVE SIZE	DRILL SIZE	MAX FIXTURE	HEAD DIA	HEAD HEIGHT	PULL OUT (kN)	SHEAR (kN)	\$/100
TCSB845	45mm	T30	6mm	5mm	15.8mm	6mm	6.8	14.1	\$126.00
TCSB860	60mm	T30	6mm	10mm	15.8mm	6mm	7.6	14.1	\$145.00
TCSB870	70mm	T30	6mm	10mm	15.8mm	6mm	11.2	14.1	\$160.00
TCSB880	80mm	T30	6mm	20mm	15.8mm	6mm	11.2	14.1	\$187.50
TCSB8100	100mm	T30	6mm	40mm	15.8mm	6mm	11.2	14.1	\$225.00
TCSB8120	120mm	T30	6mm	60mm	15.8mm	6mm	11.2	14.1	\$325.00
TCSB8140	140mm	T30	6mm	80mm	15.8mm	6mm	11.2	14.1	\$375.00

*Pull-out and Shear loads shown in the table are characteristic loads from tests run on non-cracked concrete C20/25 without edge and spacing effect. (Pull-out and shear loads are in kN; 1kN = 100 Kg) Characteristic loads can be used for Ultimate limited state design of anchorages for use in concrete according to ETAG001-Part C, or CEN/TS 1992-4-1 : 2009. In cases of concrete with a strength class lower than C20/25, or in case of further types of heavy masonry or stone, additional and special tests before installation are required.